

Liesdonk 5B - 2440 Geel - Belgium

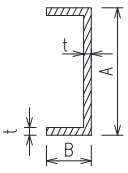
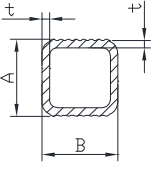
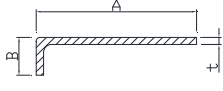
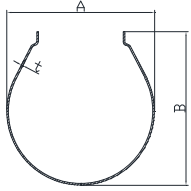
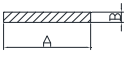
Phone: +32 14 57.10.53

E-mail: info@narviplastx.eu

Type : **GRP LADDERS**

Certification : STN EN ISO 14122 – 4 / 2018

Material : Isophthalic fire retardant resin reinforced with continuous glass roving.
Color : Grey (RAL 7035); Yellow (RAL 1018).
Density : 1,6 – 2,0 g/cm³

Description	View / instance	Dimensions [mm] A x B x t	Weight [kg]
Channel		90 x 35 x 8	2,10 per meter
Antiskid square rung		31 x 30 x 3	0,60 per meter
Anchor bracket		290 x 70 x 12,7	0,60 per piece
Cage hoop		710 x 750 x 8 (790 x 750 x 8)	1,25 per piece
Strip		A x B 50 x 6	0,48 per meter

Max. ladder length in one piece : 6000 mm (± 2mm)

Tolerances : Length, width ± 2 mm
Thickness ± 1 mm
Weight ± 5%
Color deviation Close to specified RAL- code.

Approx. weight of IM Cage ladder : 8kg per meter




Fire retardancy : 1. According to ASTM D 635.
Self-extinguishing.
2. According to ASTM E 84.
Flame spread index (FSI): ≤ 25

Operating temperature range : - 40 °C / 65 °C.

Weathering : For inside and outside applications (UV resistant).

Others : 1. Not Electrical conductive.
2. Low thermal conductivity.
3. Mounting material in stainless steel A4 (AISI 316)

PDS may be changed without prior notice. – This literature and the information it contains are based on data reasonably believed to be reliable. However, such factors as variations in environment, application or installation, changes in operating procedures, or extrapolation of data may cause different results. Narviplastx makes no representation or warranty, expressed or implied, including warranties of merchantability or fitness for purpose, as to the accuracy, adequacy or completeness of the recommendations or information contained herein. Narviplastx assumes no liability whatsoever in connection with this literature or the information or recommendations it contains.

WIDTH: 400mm 500mm						
	IM-SL variant		IM-FL variant		IM-CL variant	
	<i>SL – Simple ladder</i>		<i>FL – Fixed ladder</i>		<i>CL – Cage ladder</i>	
LENGTH (mm)	TYPE	WEIGHT	TYPE	WEIGHT	TYPE	WEIGHT
1000	IM-SL-10	6.0 kg	IM-FL-10	7.5 kg		
1500	IM-SL-15	9.0 kg	IM-FL-15	10.5 kg		
2000	IM-SL-20	12.0 kg	IM-FL-20	13.5 kg		
2500	IM-SL-25	15.0 kg	IM-FL-25	16.5 kg		
3000			IM-FL-30	20.0 kg		
3500			IM-FL-35	23.0 kg	IM-CL-35	28.0 kg
4000			IM-FL-40	26.0 kg	IM-CL-40	32.5 kg
4500			IM-FL-45	30.0 kg	IM-CL-45	36.5 kg
5000			IM-FL-50	33.0 kg	IM-CL-50	41.0 kg
5500			IM-FL-55	36.0 kg	IM-CL-55	46.5 kg
6000			IM-FL-60	39.0 kg	IM-CL-60	51.0 kg
6500			IM-FL-65*	43.0 kg	IM-CL-65*	59.0 kg
7000					IM-CL-70*	63.0 kg
7500					IM-CL-75*	67.5 kg
8000					IM-CL-80*	72.5 kg
8500					IM-CL-85*	77.5 kg
9000					IM-CL-90*	82.0 kg
9500					IM-CL-95*	87.0 kg
10000					IM-CL-100*	92.5 kg

* Ladder is built of two parts.